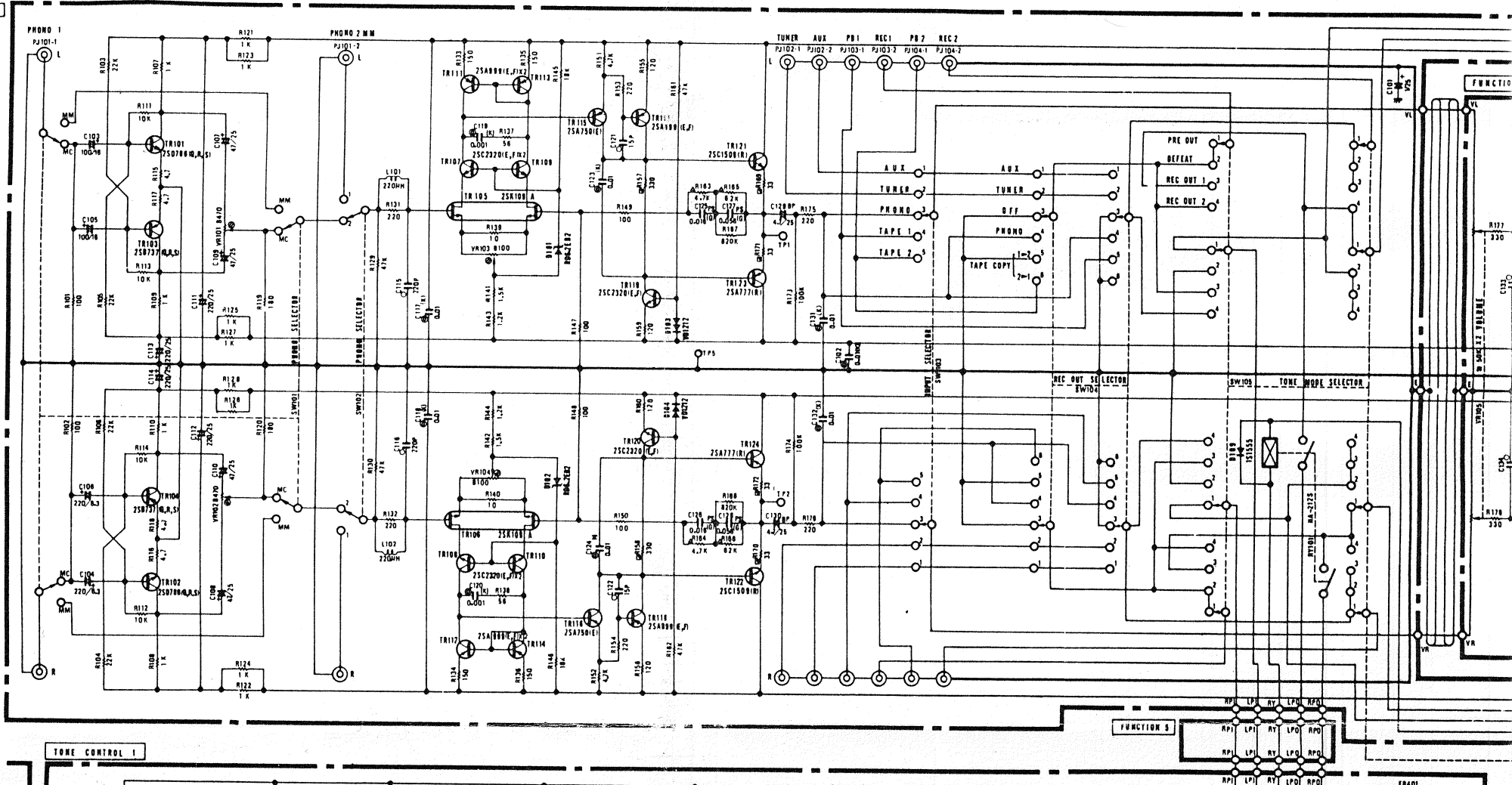


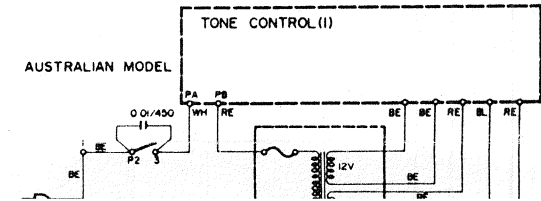
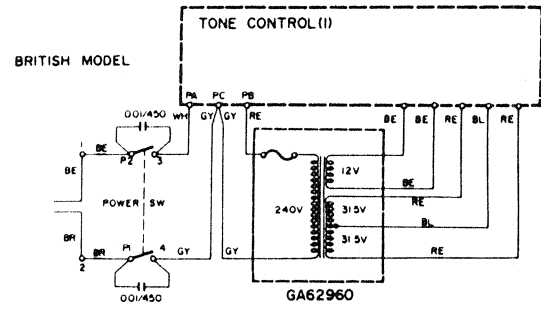
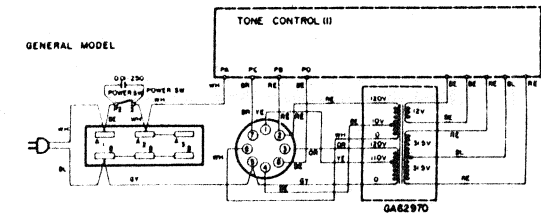
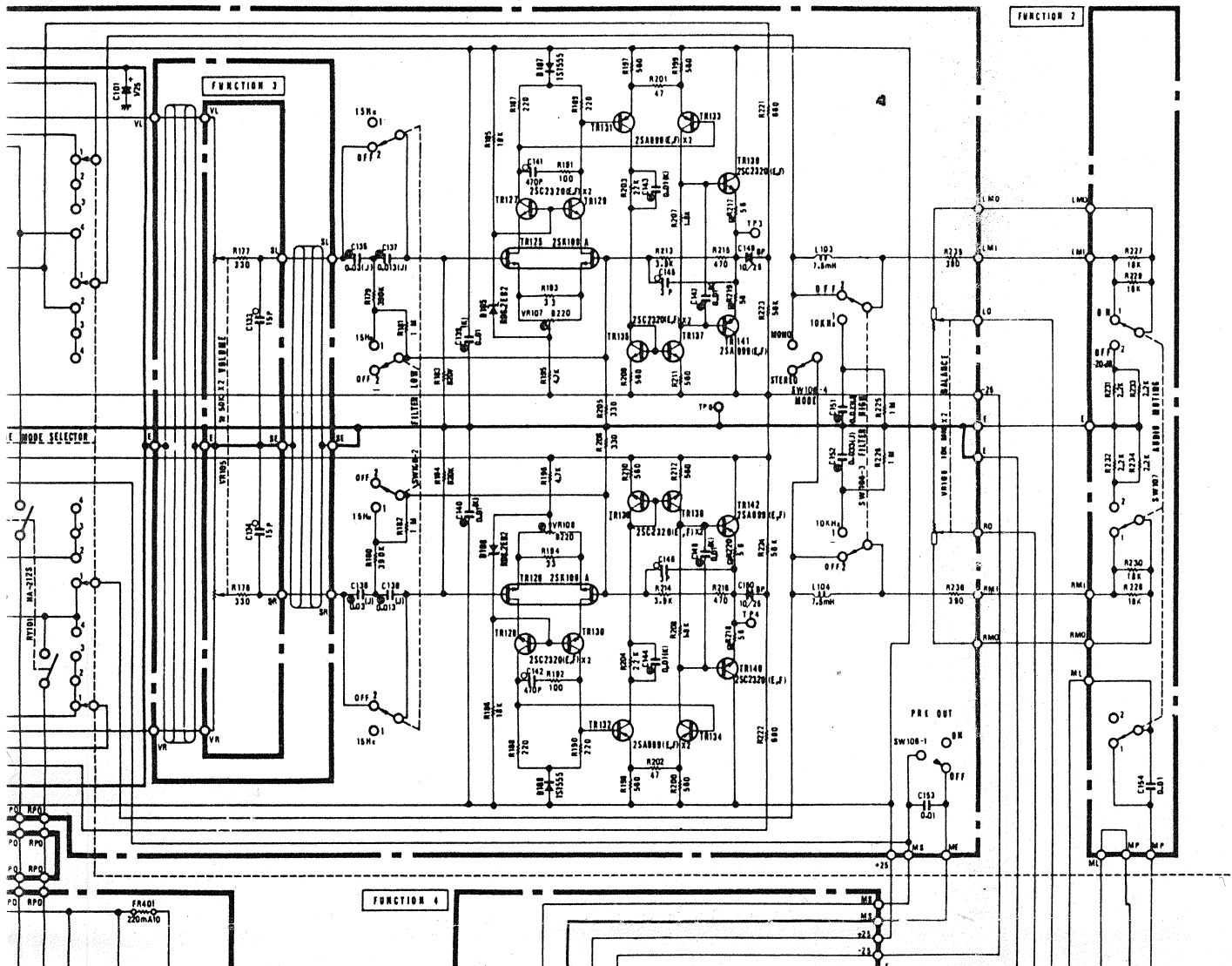
C-6

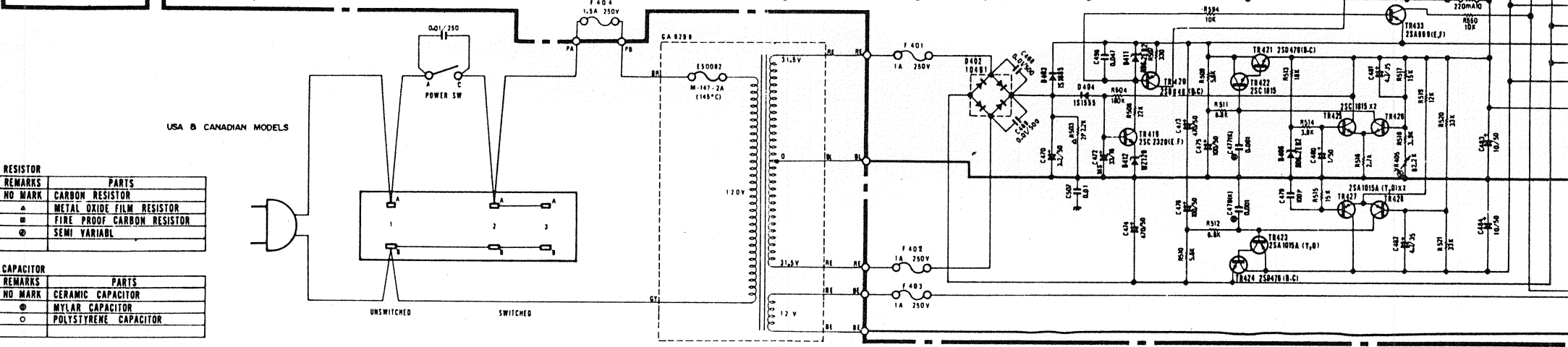
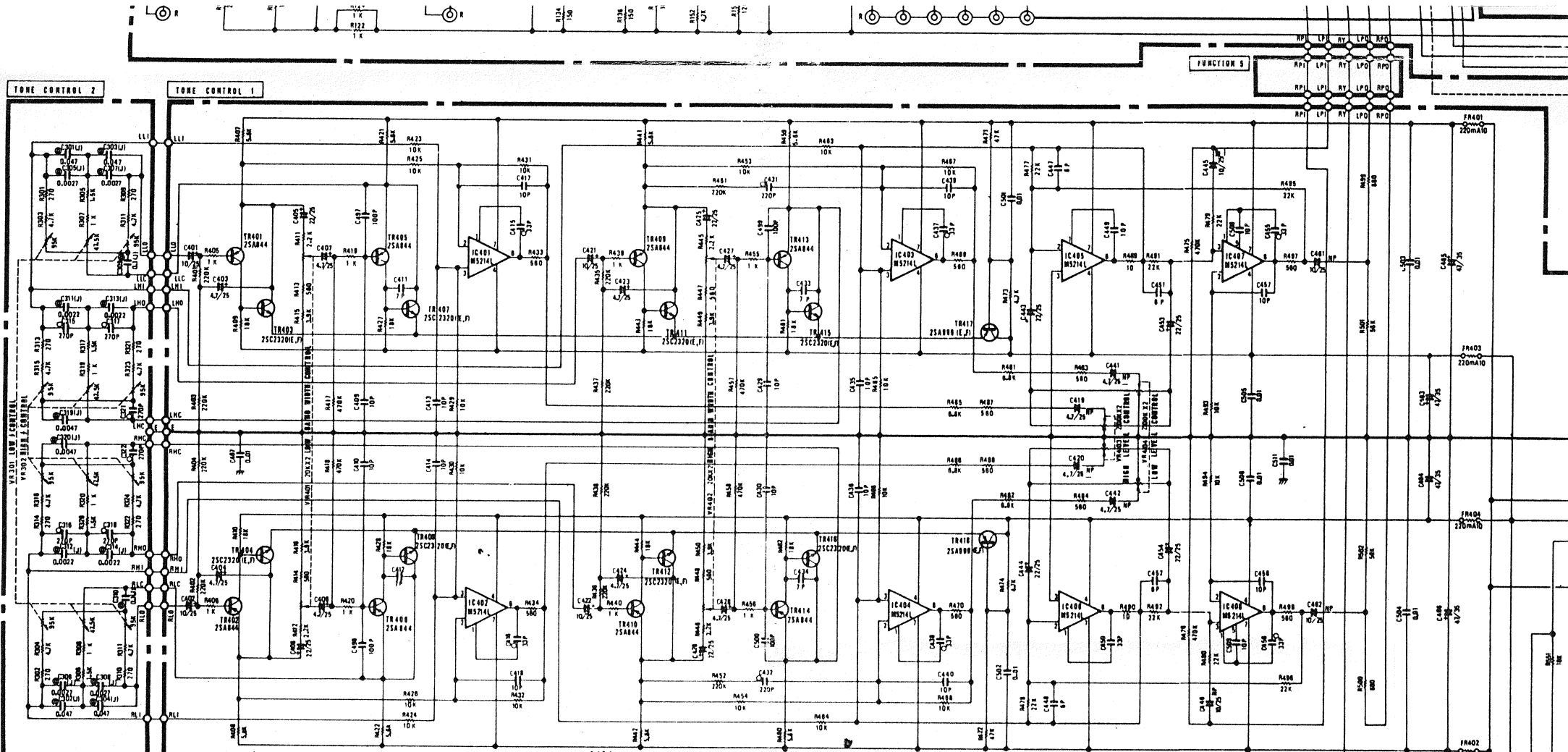
SCHEMATIC DIAGRAM ● SCHEMA SYNOPTIQUE ● SCHEMATISCHES BILD ●

FUNCTION 1



ES BILD ● KOPPLINGSDIAGRAM ● DIAGRAMA ESQUEMATICO





USA & CANADIAN MODELS

RESISTOR	
REMARKS	PARTS
NO MARK	CARBON RESISTOR
⬢	METAL OXIDE FILM RESISTOR
⬢	FIRE PROOF CARBON RESISTOR
⊙	SEMI VARIABLE

CAPACITOR	
REMARKS	PARTS
NO MARK	CERAMIC CAPACITOR
⊙	MYLAR CAPACITOR
○	POLYSTYRENE CAPACITOR

UNSWITCHED SWITCHED

